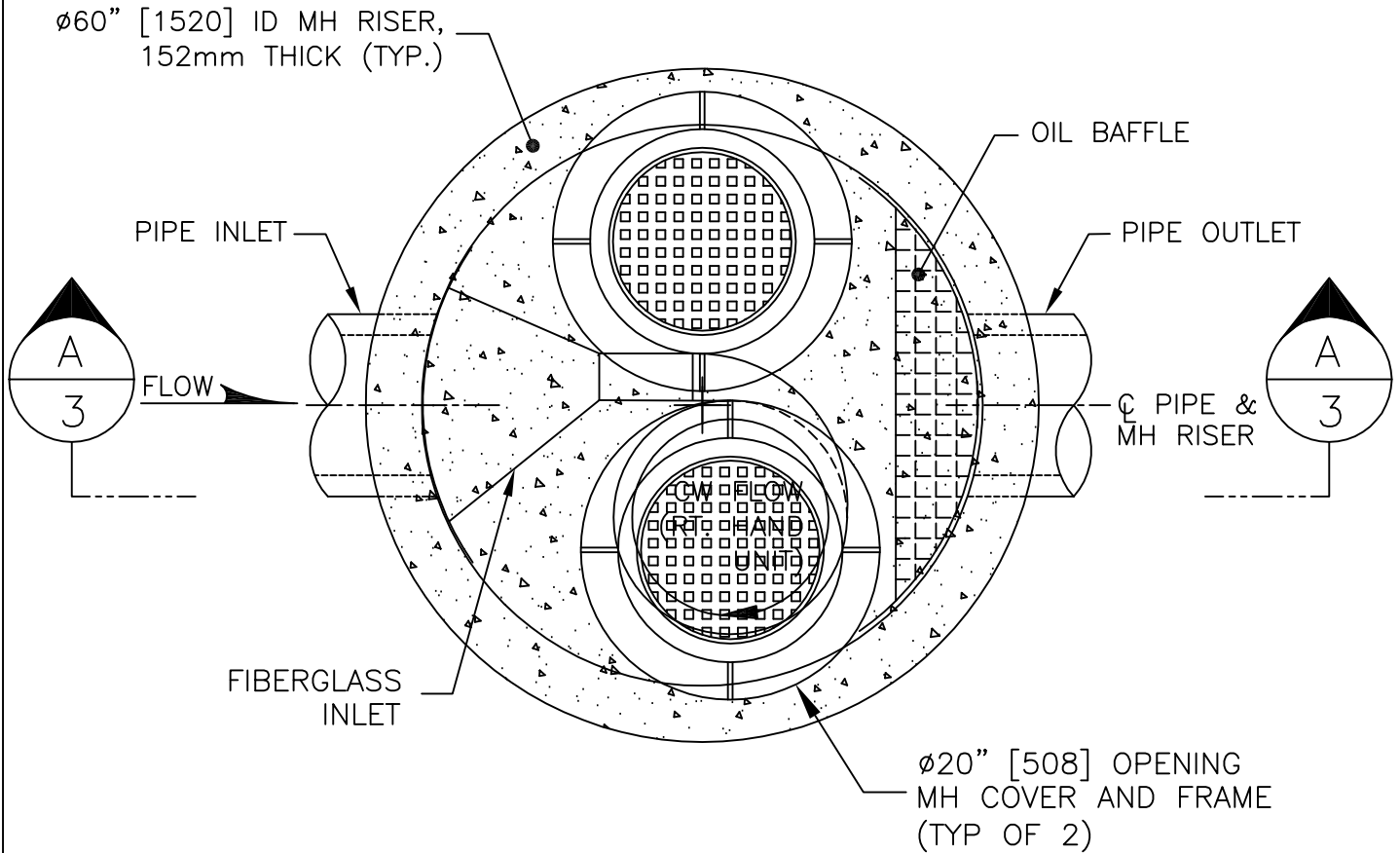


PLAN VIEW TYPICAL / GENERIC INSTALLATION

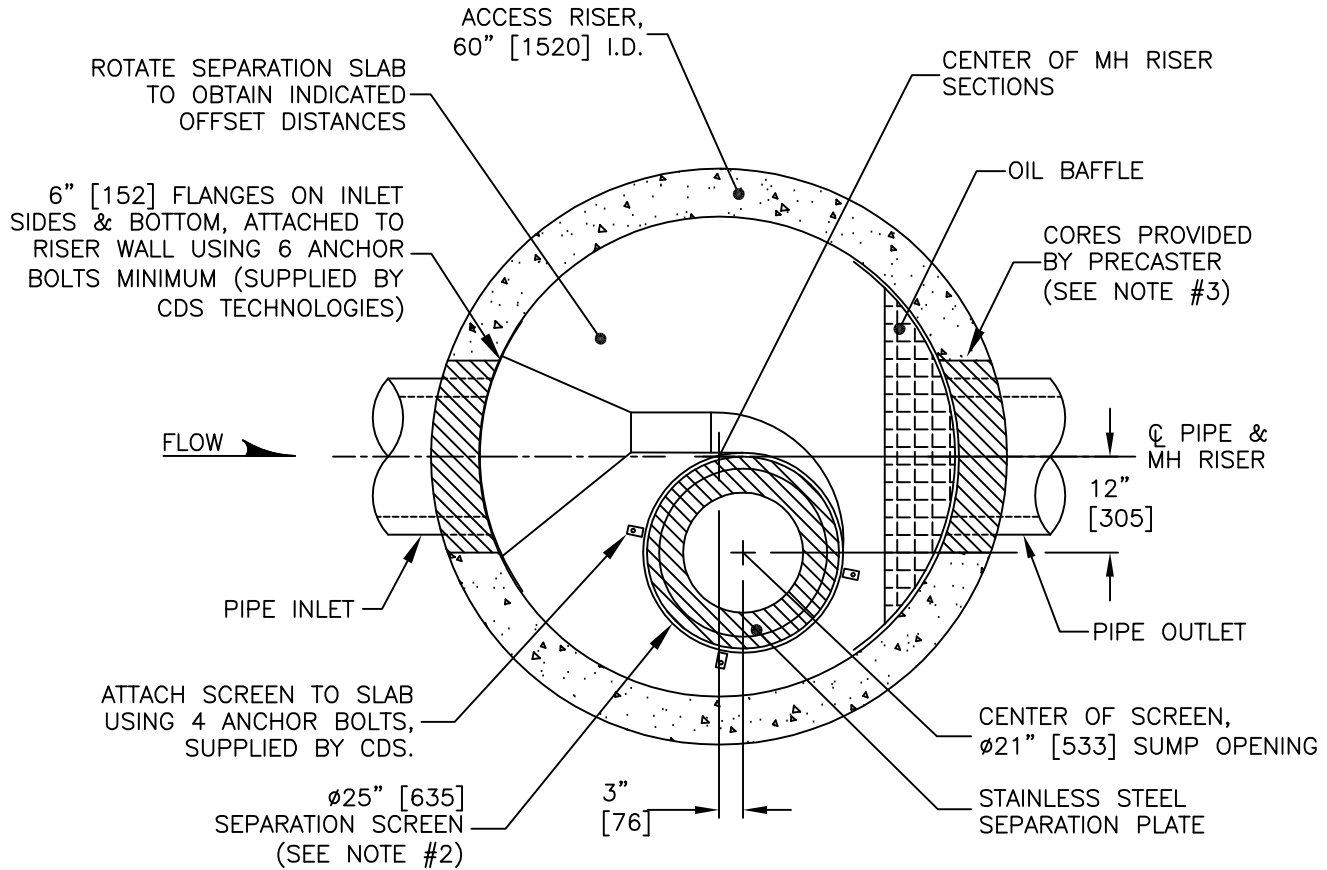


NOTE:
 THE INTERNAL COMPONENTS ARE SHOWN IN THE RIGHT-HAND CONFIGURATION—THESE COMPONENTS MAY BE FURNISHED IN THE MIRROR IMAGE TO THAT SHOWN (LEFT-HAND CONFIGURATION).

CDS MODEL PMSU20_15 STORM WATER TREATMENT UNIT

	PROJECT NAME	JOB#	SCALE 1:20
		DATE:	SHEET
		DRAWN:	1
		APPROV.	

SECTION B-B TYPICAL / GENERIC INSTALLATION



NOTES:

1. THE INTERNAL COMPONENTS ARE SHOWN IN THE RIGHT-HAND CONFIGURATION.
2. FOR PROPER INSTALLATION, GREEN FLANGE ON SCREEN FACES UP, RED FLANGE FACES DOWN & FASTENS TO SEPARATION SLAB.
3. OVERSIZED CORES ARE PROVIDED TO ACCOUNT FOR DIFFERENT PIPEWALL THICKNESSES—ENSURE SUFFICIENT EXCAVATION DEPTH TO ATTAIN (EXTERNAL) SUMP INVERT ELEVATION (SEE SHEET 3).

CDS MODEL PMSU20_15 STORM WATER TREATMENT UNIT



PROJECT
NAME

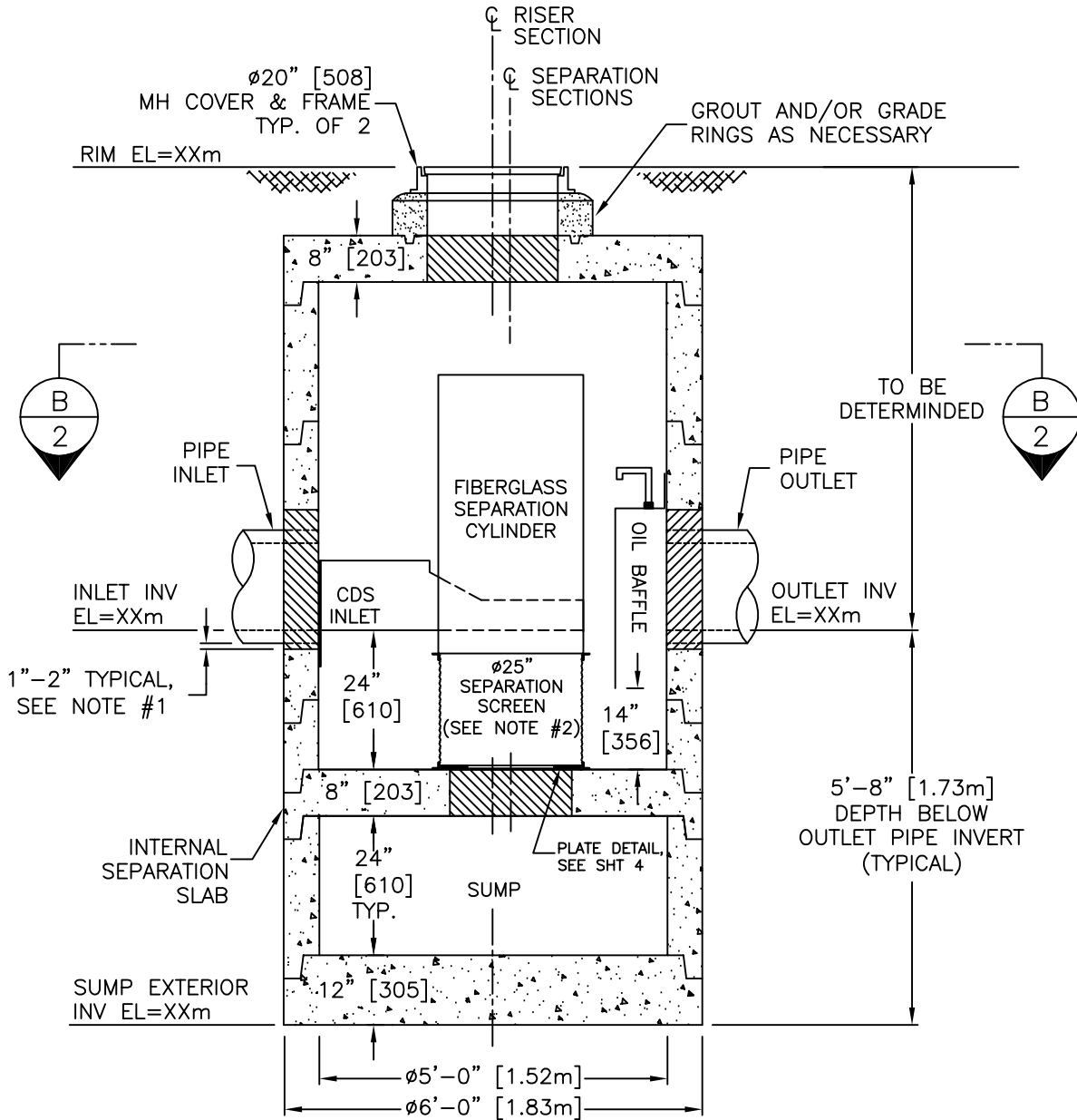
JOB#	
DATE:	
DRAWN:	
APPROV.	

SCALE
1:20
SHEET

2

SECTION A-A ELEVATION VIEW

TYPICAL / GENERIC INSTALLATION



NOTES:

- OVERSIZED CORES ARE PROVIDED TO ACCOUNT FOR DIFFERENT PIPEWALL THICKNESSES—ENSURE SUFFICIENT EXCAVATION DEPTH TO ATTAIN INDICATED (EXTERNAL) SUMP INVERT ELEVATION.
- FOR PROPER INSTALLATION, GREEN FLANGE ON SCREEN FACES UP & FASTENS TO FIBERGLASS CYLINDER FLANGE; RED FLANGE FASTENS TO SEPARATION SLAB WITH PROVIDED ANCHOR BOLTS.

CDS MODEL PMSU20_15 STORM WATER TREATMENT UNIT



PROJECT
NAME

JOB#

DATE:

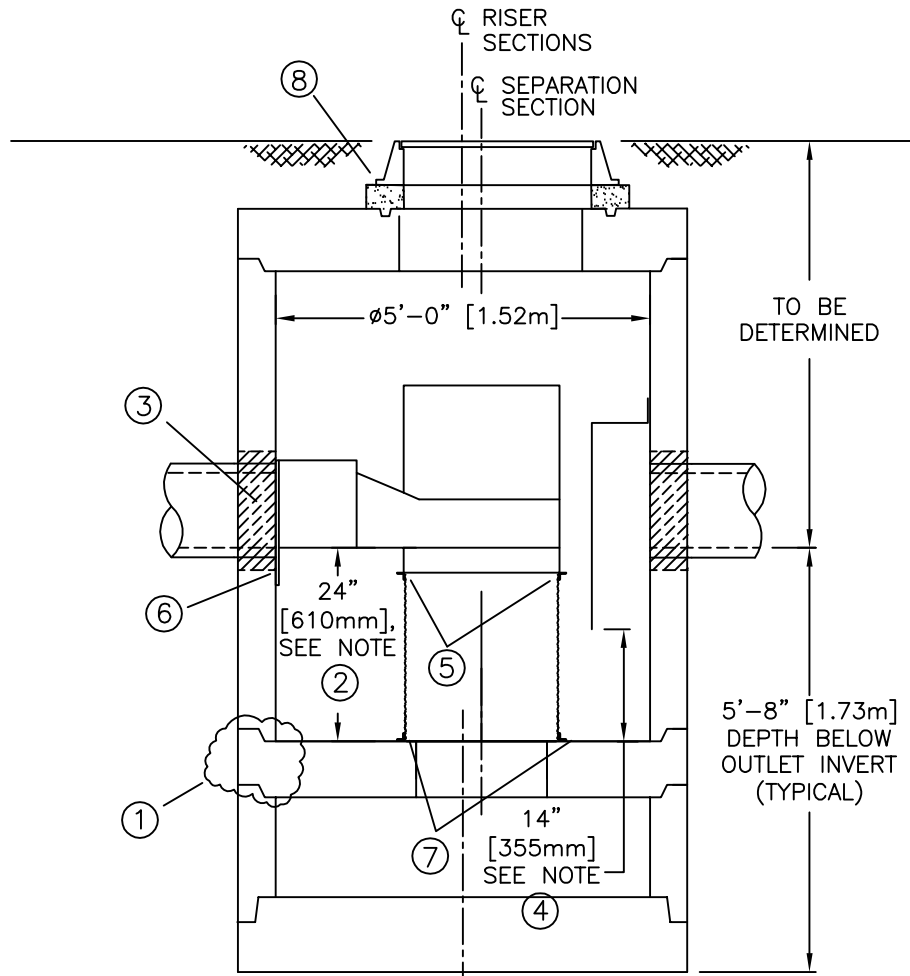
DRAWN:

APPROV.

SCALE
1:30

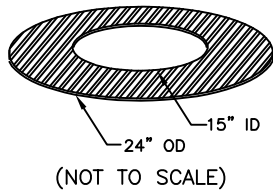
SHEET

3



HYDRAULIC SHEAR PLATE
TYPE 316 STAINLESS, 11 GA.

USE WHEN ADDING
SORBENT MATERIAL



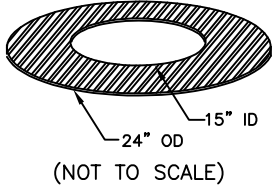
NOTES:

1. APPLY BUTYL MASTIC AND/OR GROUT TO SEAL JOINTS OF MANHOLE STRUCTURE. APPLY LOAD TO MASTIC SEAL IN JOINTS OF MH SECTIONS TO COMPRESS SEALANT IF NECESSARY. UNIT MUST BE WATER TIGHT, HOLDING WATER UP TO FLOWLINE INVERT (MINIMUM).
2. IF SEPARATION SLAB IS NON-INTEGRAL TO THE SEPARATION SECTION OF THE UNIT, SET AND VERIFY TOP ELEVATION BEFORE PLACING MORE PRECAST COMPONENTS OR BACKFILLING. ENSURE 24" (610mm) FROM TOP OF SEPARATION SLAB TO PIPE INVERT.
3. GROUT PIPE CONNECTIONS TO SEAL JOINT.
4. SET BOTTOM OF OIL BAFFLE 14" (355mm) ABOVE SEPARATION SLAB FLOOR; DRILL AND INSERT A MINIMUM OF TEN (10) 3/8" x 3 3/4" SS EXPANSION BOLTS @ 12" (305mm) O.C. EQUALLY SPACED THRU TOP AND SIDE BAFFLE FLANGES TO SECURE TO RISER WALL; FILL ANY GAPS WITH AN APPROPRIATE SEALANT MAT'L.-(HARDWARE SUPPLIED BY CDS).
5. FASTEN FIBERGLASS CYLINDER/INLET TO SCREEN ASSEMBLY USING FOUR (4) SETS OF 1/2" x 1 1/2" SS HEX HEAD BOLTS W/ NUTS AND WASHERS; IN THE LEFT-HANDED CONFIGURATION THE "RED" COLORED FLANGE SHOULD FACE UP; IN THE RIGHT-HANDED CONFIGURATION, THE "GREEN" COLORED FLANGE SHOULD FACE UP-(HARDWARE SUPPLIED BY CDS TECHNOLOGIES).
6. CENTER SCREEN ASSEMBLY OVER SUMP OPENING AND POSITION FIBERGLASS INLET AGAINST RISER WALL W/ INLET PIPE REASONABLY CENTERED WITHIN THE CDS INLET ORIFICE; FASTEN SCREEN TO SEPARATION SLAB USING FOUR (4) 3/8" x 3 3/4" SS EXPANSION BOLTS-(HARDWARE SUPPLIED BY CDS TECHNOLOGIES); IF STAINLESS STEEL SEPARATION PLATE (SEE INSET) IS PROVIDED, PLACE PLATE WITHIN THE SCREEN CYLINDER AND OVER THE 21"Ø SUMP ACCESS HOLE (NO FASTENING REQUIRED).
7. DRILL & INSERT A MINIMUM OF SIX (6) 3/8" x 3 3/4" SS EXPANSION BOLTS EQUALLY SPACED TO SECURE FIBERGLASS CDS INLET TO RISER WALL; FILL ANY GAPS BETWEEN FLANGE AND MH W/ AN APPROPRIATE SEALANT MATERIAL IF NECESSARY - (HARDWARE SUPPLIED BY CDS TECHNOLOGIES).
8. BLOCK AND/OR GROUT TO MATCH FINISHED GRADE ELEVATION AS NEEDED.

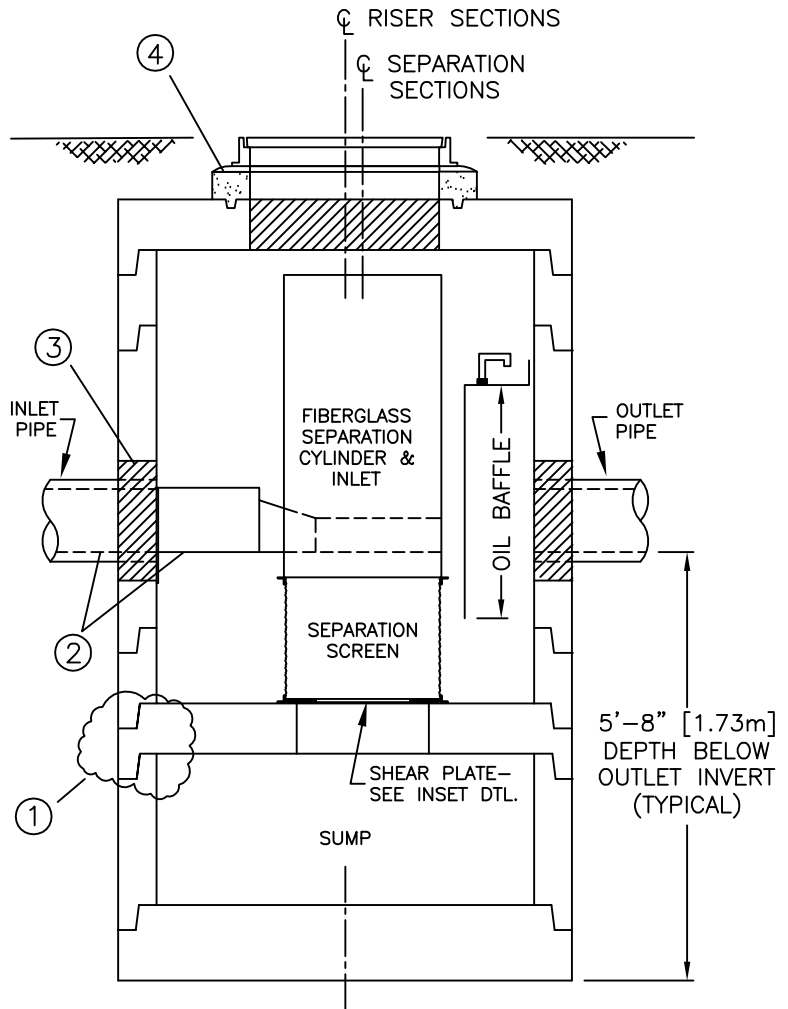
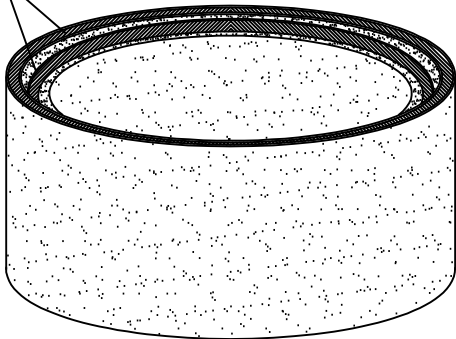
	PMSU20_15 CONSTRUCTION NOTES	JOB# -	SCALE N.T.S. SHEET 4
		DATE: -	
		DRAWN: -	
		APPROV. -	

HYDRAULIC SHEAR PLATE
TYPE 316 STAINLESS, 11 GA.

USE WHEN ADDING
SORBENT MATERIAL



PLACE 2x CONTINUOUS BANDS OF MASTIC ROPE ON VERTICAL AND HORIZONTAL SURFACES OF SUMP (MH BASE) T&G JOINT; GROUT EXTERIOR MH JOINT IF NECESSARY.



CONSTRUCTION NOTES:

1. APPLY BUTYL MASTIC TO SEAL JOINTS OF MANHOLE STRUCTURE (SEE INSET DETAIL DRAWING); APPLY GROUT TO EXTERIOR T&G JOINTS OF MH SECTIONS TO COMPLETELY SEAL IF NECESSARY (UNIT MUST BE WATER TIGHT, HOLDING WATER UP TO FLOWLINE INVERT, MINIMUM).
2. BEFORE PLACING MORE PRECAST COMPONENTS OR BACKFILLING, ENSURE FIBERGLASS INLET AND PIPE INLET INVERTS MATCH ELEVATIONS (CERTAIN JOBS WILL HAVE INLET PIPE HIGHER THAN FIBERGLASS INLET).
3. GROUT PIPE CONNECTIONS TO SEAL JOINT.
4. USE GRADE RINGS, BLOCKS AND/OR GROUT TO ENSURE COVER RIM MATCHES FINISHED GRADE. SEAL AS REQ'D.

GENERAL NOTES:

1. THE CDS UNITS ARRIVES TO THE JOB SITE WITH THE STAINLESS STEEL SCREEN CYLINDER, FIBERGLASS CYLINDER/INLET AND OIL BAFFLE PRE-INSTALLED.
2. INSTALL CDS UNIT PER CDS INSTALLATION SPECIFICATIONS.
3. CONTRACTOR TO BE EQUIPPED TO HANDLE THE HEAVIEST PICK SECTION (APPROX. 5,350 LBS.).



**CDS MODEL PMSU20_15
CONSTRUCTION NOTES**

JOB#

DATE:

DRAWN:

APPROV.

SCALE
N.T.S.
SHEET

4