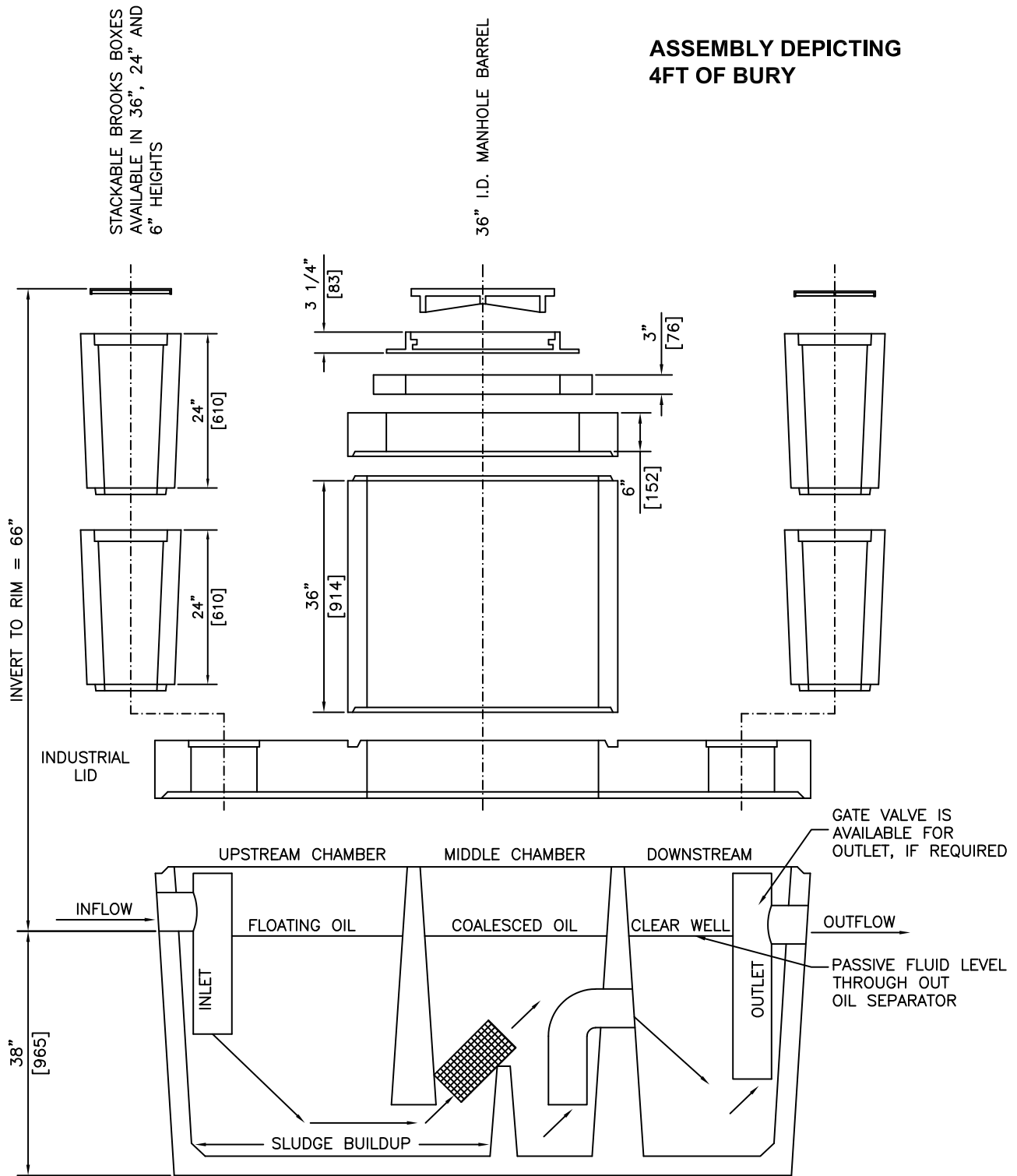


**ASSEMBLY DEPICTING
4FT OF BURY**



**INSTALLATION SEQUENCE
AND OPERATION DETAILS**

NOTES:
U.S. PATENT No. 6,079,571
CANADIAN PATENT No. 2,252,307

INDUSTRIAL 600
GALLON OIL
INTERCEPTOR TANK

REVISED: JAN 28 2009

<p>A.F.C. AMERICAN FORCECRETE OF CANADA Inc.</p>	<p>3891 Irvine Road LAKE COUNTRY, B.C. V4V 2G4 PH: (250) 548-0056 FX: (250) 765 0820</p>	BY: PKR	<p>AFC OIL/WATER SEPARATOR : H20 150GPM</p>	ITEM NO.
		DATE: MAR 17 06		
		SCALE: NTS		