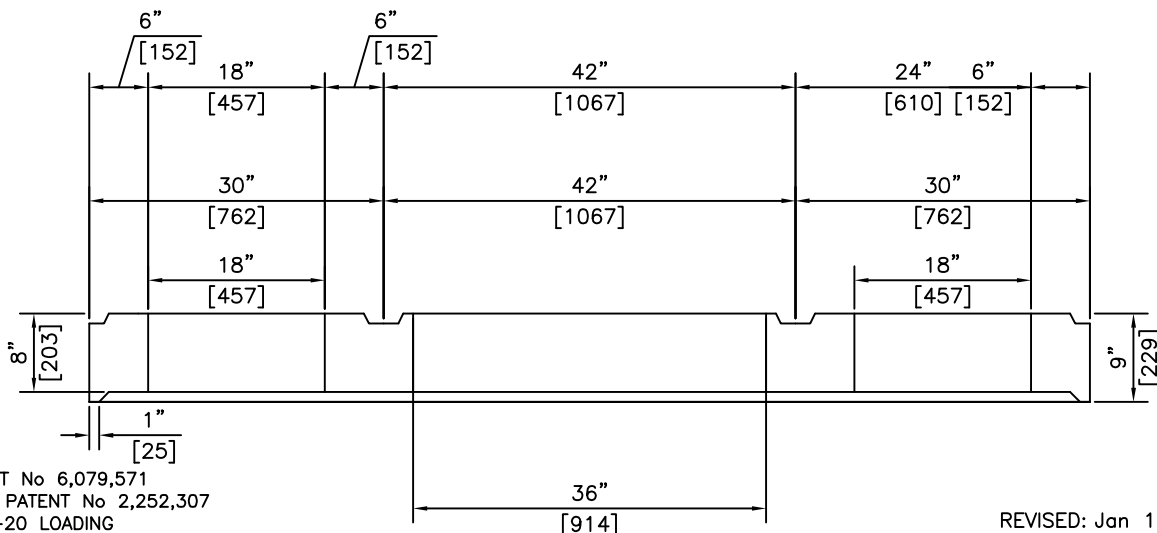


PLAN VIEW



NOTES:

US PATENT No 6,079,571
 CANADIAN PATENT No 2,252,307
 MEETS H-20 LOADING

REVISED: Jan 16 2013

A.F.C. AMERICAN FORCECRETE OF CANADA Inc.	3891 Irvine Road LAKE COUNTRY, B.C. V4V 2G4 PH: (250) 548-0056 FX: (250) 765 0820	BY: JRS DATE: Jan 16 2013 SCALE: NTS	MODEL 1605/1605E OIL/WATER SEPARATOR LID :	ITEM NO. 1603