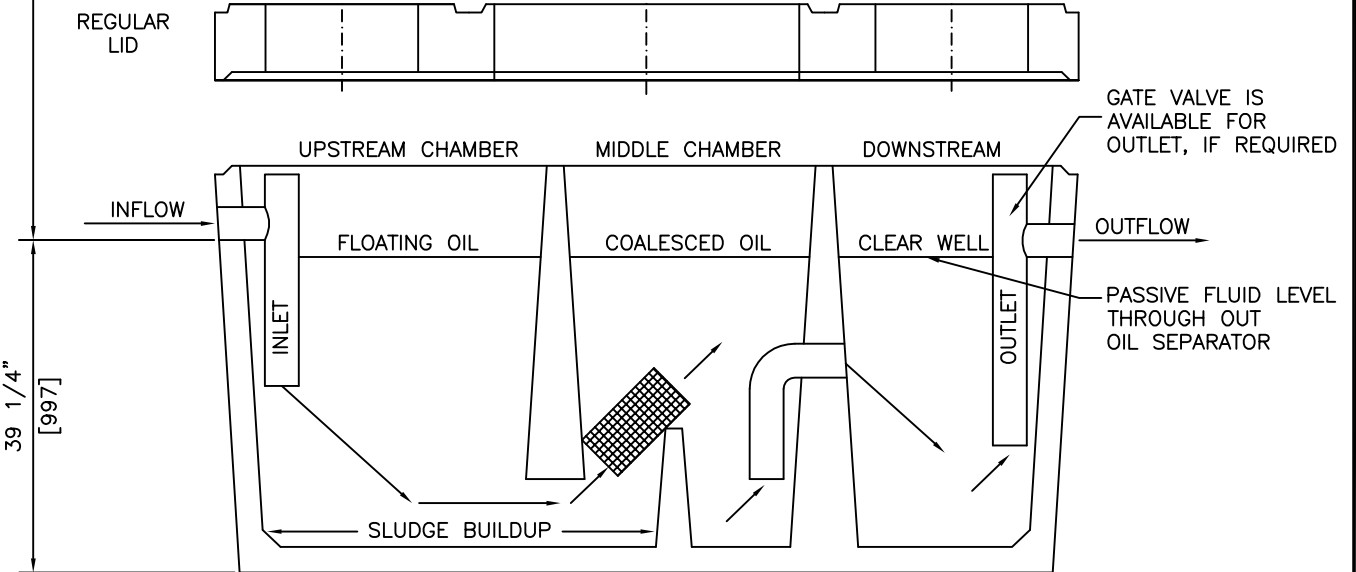
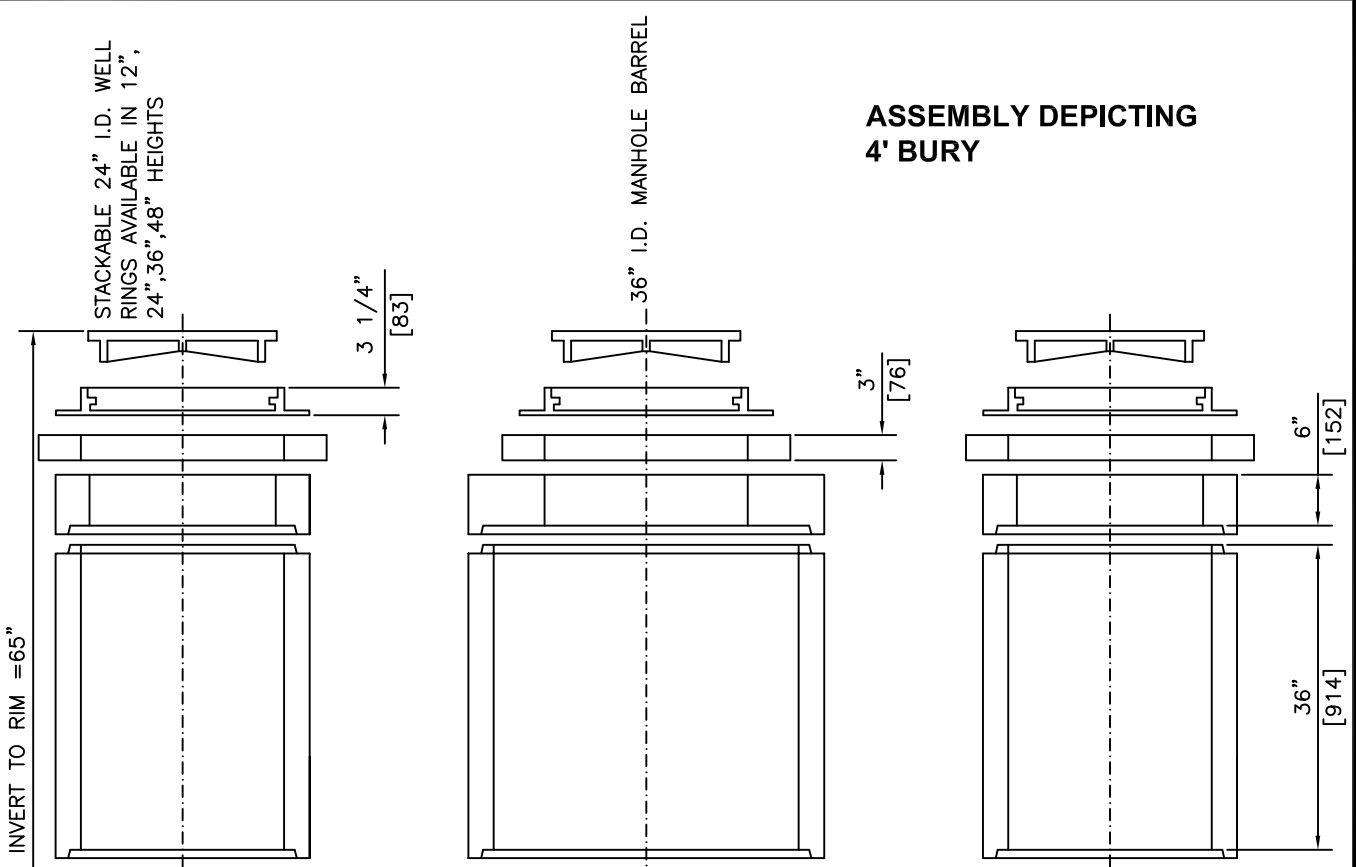


**ASSEMBLY DEPICTING  
4' BURY**



**INSTALLATION SEQUENCE  
AND OPERATION DETAILS**

REGULAR 600  
GALLON OIL  
INTERCEPTOR TANK

**NOTES:**  
U.S. PATENT No. 6,079,571  
CANADIAN PATENT No. 2,252,307

REVISED: JAN 27 2009

<p><b>A.F.C.</b> AMERICAN FORCETRETE OF CANADA Inc.</p>	<p>3891 Irvine Road LAKE COUNTRY, B.C. V4V 2G4 PH: (250) 548-0056 FX: (250) 765 0820</p>	BY: PKR	<p><b>AFC OIL/WATER SEPARATOR 50GPM</b></p>	ITEM NO.
		DATE: MAR 17 06		
		SCALE: NTS		